

NON Metallic Troffer



Features & Benefits:

- UL/cUL listed
- AC120-277V/AC120-347V, 0-10V dimmable
- LED Source: SMD2835, CRI>80, LM80 report
- PF>0.90, THD<20%
- Plastic frame + PC
- Ideal replacement for traditional troffer with over 80% energy saving!
- 5 years warranty

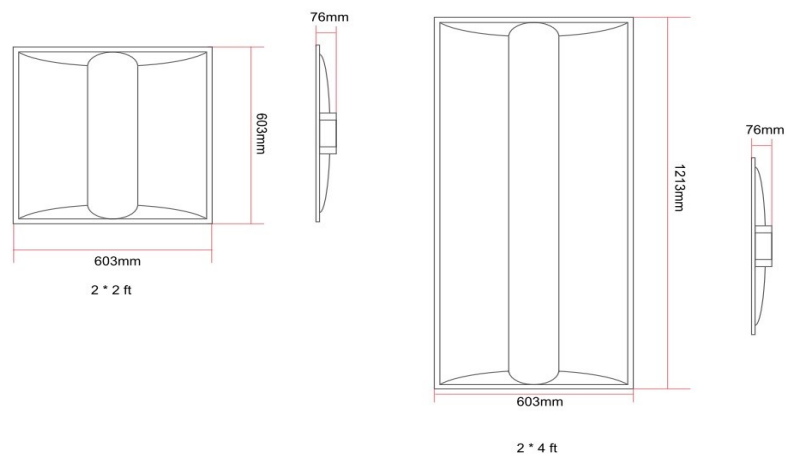
Applications: Offices / Classrooms / Malls / Hotel / Lobbies / Back of house / Restaurants / Bus Stations / Medical Facility



Specifications

Technical Specification

Input Voltage: AC120V ~ 277V/AC120-347V
THD: < 20%
PF: > 0.9
Power Efficiency: > 90 %
Color Temperature: 3000K, 3500K, 4000K, 5000K
Color Rendering Index: CRI > 80
Beam Angle: 120°
Material: Plastic+PC
Working Temperature: -20 C ~ +45 C
Storage Temperature: -25 C ~ +65 C
IP Grade: IP40
Working Life-span: 50,000H



Parameters



LED Troffer Series

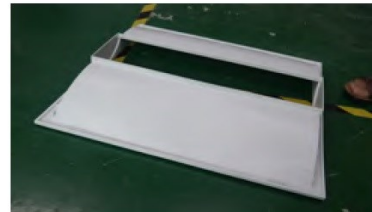
Model	Watt	Input Voltage	Lumens	LEDs	Size(mm)	CCT	N.W
TLN-28W-22CC-DDC	28W	AC 120-277V or AC 120-347V	125-130 Lm/W	SMD2835	2 * 2 ft	3000K	2.3 kg/pc
TLN-35W-22CC-DDC	35W					3500K	
TLN-35W-24CC-DDC	35W				4000K	3.9 kg/pc	
TLN-50W-24CC-DDC	50W				5000K		

Part Number Matrix

product family	options function	color temperature
TLN=Troffer Non isolation	CC= DM(Dimming function) DS(Dimming + Sensing function)	DD= 30(3000K) 35(3500K) 40(4000K) 50(5000K)

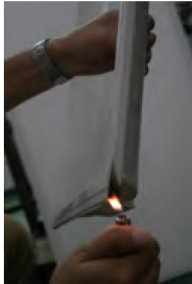
Anti-pressure test

Anti-pressure test



Troffer adopt high-performance synthetic material, it can bear about 176 lbs without any transformation. Though the frame deform because of unilateral compression, it resumes once released, no signs of aging at all.

Anti flame spread test



The National Fire Protection Association Life Safety Code 101, "Interior Wall and Ceiling Finish Classification", has a means of classifying materials with respect to Flame Spread and Smoke Developed when tested in accordance with NFPA 255, (ASTM E84) "Method of Test of Surface Burning Characteristics of Building Materials".

The classifications are as follows:

	Flame-Spread Index (FSI)	Smoke-developed Index(SDI)
Class A	0 - 25	0 - 450
Class B	26 - 75	0 - 450
Class C	76 - 200	0 - 450

Conclusion:

Refer to the National Fire Protection Association Life Safety Code 101, "Interior Wall and Ceiling Finish Classification", the submitted sample meets the requirement of Class B.

The troffer shell is mainly composed by Plastic material mixed with other fireproof material, which can prevent or block the flame from spreading. The test proves that the fireproof performance is superior, completely unable to burn.